

**OLI**



**DESIGN PLUS**  
powered by: ISH



# SANITARY SYSTEMS

NEW PRODUCTS ISH 2019



**OLI**



# COMPANY



## 65 YEARS OF RESEARCH, INNOVATION, DEVELOPMENT AND DESIGN

OLI - Sistemas Sanitários, S.A., founded in 1954 in Aveiro, is currently the Iberian leader in the production of cisterns. A wide range of solutions, such as control plates, in-wall and exposed flushing cisterns, and mechanisms (inlet valves and outlet valves) are sent daily to 80 countries on five continents. In addition, OLI has branches in Italy, Germany and Russia.

OLI flushing cisterns can be found in bathrooms all over the world, such as a hotel in Cuba, an Israeli hospital, a school in Spain, a football stadium in Qatar, a boat Hotel in Peru, or a restaurant in Italy. This international recognition is based on innovation.

From its large and modern industrial complex, in Aveiro, which operates 24 hours a day and seven days a week, 2 million cisterns and 2.8 million mechanisms are produced each year.

To compete globally OLI continuously invests in innovation, having applied, in the last five years, 10 million euros in Research and Development. Using patented technology and high quality manufacturing standards, OLI is constantly studying new and better solutions that increase water efficiency and accessibility for people with reduced mobility.

Currently, OLI has 45 active patents and according to the report of the European Patent Office for the last four years is among the Portuguese companies with the most patents in Europe and is considered the most innovative in the construction sector.

OLI's innovative work has been recognized with several distinctions, namely "Archiproducts Design Awards", "Good Design", "Iconic Awards" and "Design Plus".

In 2018, OLI closed the year with a turnover of 56.3 million euros and a total of 401 employees in Portugal. OLI is part of the Italian group Silmar, which operates in 5 different yet integrated sectors: heating, aluminium processing, plumbing, electroplating and passive fire protection - and employs about 3,000 people.

# AWARDS



## 2019 ICONIC AWARDS

INNOVATIVE INTERIOR

“Moon Black”



## 2019 DESIGN PLUS

Powered by ISH 2019

“Moon Black”



2018

### INNOVATION IN CONSTRUCTION AWARD

BATHROOM, ACCESSORIES AND EQUIPMENT CATEGORY

“MoBak” System, Modular Bathroom kit



2017

### MILLENNIUM HORIZONTES AWARD – INOVATION

Big company category



2016

### THE GREEN PROJECT AWARD

PRODUCT CATEGORY

Received an honourable mention for “IVC1000” inlet valve



2016

### GOOD DESIGN AWARD

“Glassy”, a self-sustainable control plate for in-wall flush cisterns with OLI’s no-touch technology.



2016

### ARCHIPRODUCTS DESIGN AWARDS

“Trumpet” control plate designed by architect Siza Vieira.



2015

### INNOVATION IN CONSTRUCTION AWARD

BATHROOM, ACCESSORIES AND EQUIPMENT CATEGORY

Self-sustainable “Hydroboost” system, a technology that creates its own energy, making use of the movement of water.



2015

### INNOVATION IN CONSTRUCTION AWARD

Best Portuguese Company



2014

### INNOVATION IN CONSTRUCTION AWARD

TECHNOLOGIES THAT SUPPORT REHABILITATION CATEGORY

“Easy Move” is an adjustable frame that allows the user to adjust the height of the WC.



2012

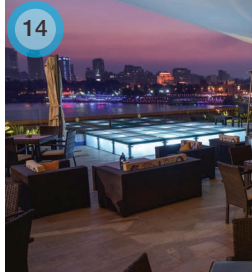
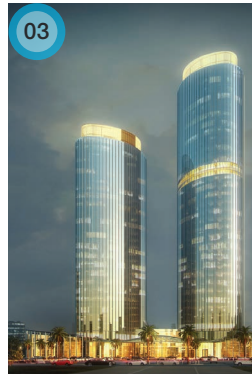
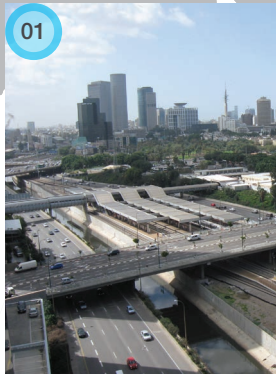
### KAIZEN LEAN AWARD

Excellence in Productivity



# MARKETS

Built to surpass  
global standards.  
Designed for your market.



01 Savidor Railway Station  
Tel Aviv, Israel

02 Gran Hotel Manzana Kempinski La Habana  
Havana, Cuba

06 CUF Hospital  
Sintra, Portugal

07 Building Offices Chamartin Island  
Madrid, Spain

11 Abacus Hotel  
Budapest, Hungary

12 Torel Avantgarde Hotel  
Oporto, Portugal

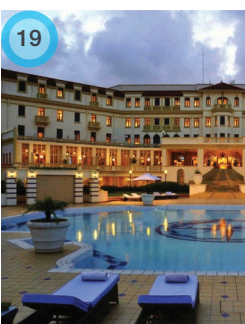
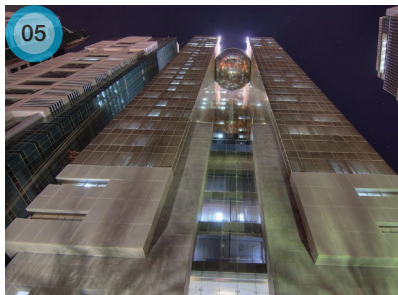
16 Radiance Hotel  
Sydney, Australia

17 Rasa sayang shangri-la hotel  
Penang, Malaysia

OLI's commercial activities extend to all continents with a presence in over 80 international markets. Based on a well-structured research, development and innovation policy, our products are recognized and certified by the highest world standards, which motivates us to continue to invest in a personalized differentiation strategy.

Because each market is unique, OLI adapts its products to different requirements. This adaptability makes OLI competitive and stand out from the rest.

Some of the international markets where OLI is well known and appreciated: Portugal, France, Italy, Spain, Germany, Belgium, Holland, Austria, Finland, Denmark, Sweden, Czech Republic, Poland, Romania, Russia, Morocco, Egypt, Tunisia, Algeria, Senegal, Cote d'Ivoire, Saudi Arabia, Jordan, United States of America, Brazil, Mexico, Australia, Indonesia and China.



**03 Sail Tower**  
Jeddah, Saudi Arabia

**04 Amazon Discovery Hotel**  
Iquitos, Peru

**05 Al-Dana Tower**  
Doha, Qatar

**08 Vodafone Building**  
Oporto, Portugal

**09 Villa Medici Grand Hotel**  
Florence, Italy

**10 Mowasat Hospital**  
Salmiya, Kuwait

**13 Erbil Rotana Hotel**  
Erbil, Iraq

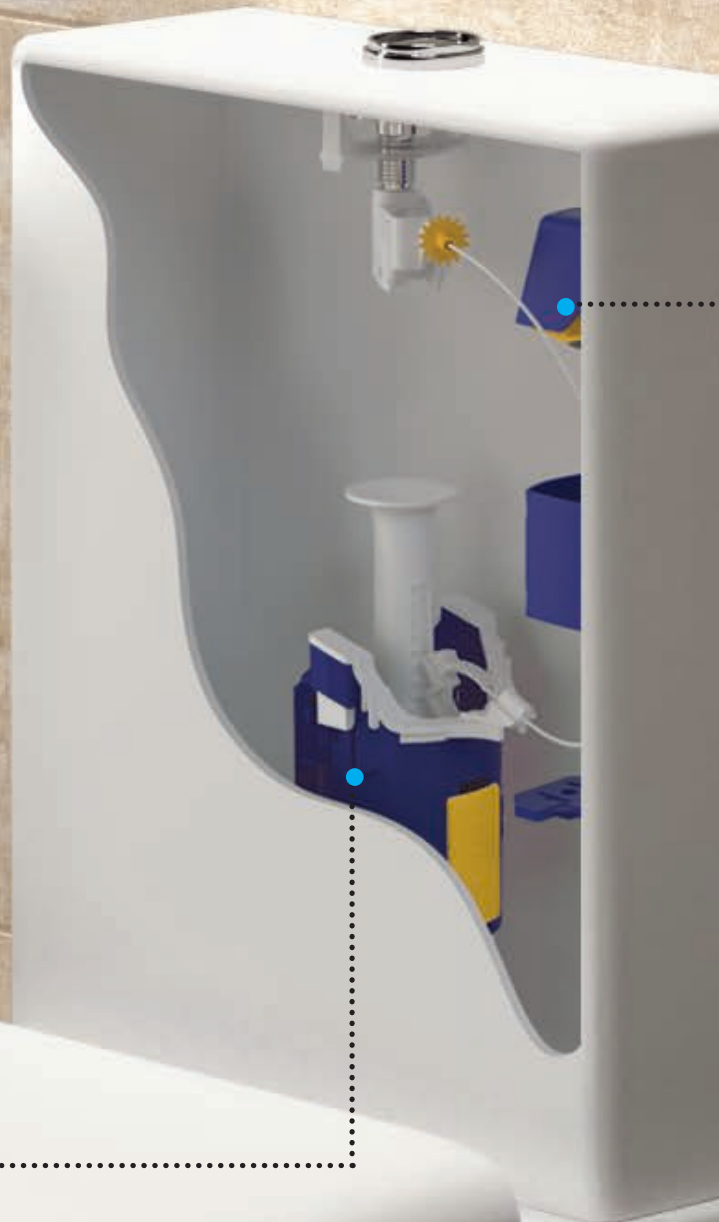
**14 Inter Continental Hotel**  
Cairo, Egypt

**15 Palm cove hotel**  
Palm Cove, Australia

**18 Lisbon Cruise Port**  
Lisbon, Portugal

**19 Tivoli Hotel**  
Maputo, Mozambique

# WATER-SAVING SOLUTIONS



## OUTLET VALVE

### ADDITIONAL WATER-SAVING

Adjust the volume of water flushed.  
Allows residual adjustment of the half and full flush.



### DUAL FLUSH

Water-saving of approximately 50%.







## INLET VALVE

### FILLS THE CISTERN FASTER

Delayed refill system

### QUIETER

Operating noise reduced



### OLI74 PLUS 4/2l

Save water with every flush.

When compared to OLI74 PLUS 6/3l you save 2 litres with every full flush and 1 litre with every half flush.



### OLI74 PLUS with 2 INLET VALVES

Save water by connecting your cistern to a second water source, such as rainwater.



### OLI74 PLUS 4/2l with 2 INLET VALVES

Combines both of the water efficient solutions above to help you maximize your water saving.



# SANITARY MODULE



QR is a Sanitary module that adapts to many locations, designed for a greater space saving in any bathroom. With reduced dimensions and incorporated high technology, the QR sanitary module is the best option for a quick renovation of bathrooms and new sanitary installations.



## QR-INOX



## QR TOTAL



NEW



Seal Box is the elegant solution for bathroom renovations. Available with state-of-the-art no-touch technology, Seal Box is the best space-saving option that guarantees easy access to the cistern and is ideal for a quick bathroom renovation or a new sanitary installation.

## SEAL BOX

### NO-TOUCH

With No-touch technology there is no need to touch the module to activate the flush. The tempered glass is equipped with capacitive sensors and the user can choose between the half flush and the full flush by simply approaching their hand to the corresponding light symbol. With No-touch, hygiene and convenience are taken to a new level, by adopting a clean and sustainable technology.

AC POWER-MAINS Hydroboost

### PNEUMATIC

The pneumatic version comes with a stainless steel tilt selector button in a matt finish for activating the flush. The user can choose between the full flush and the half flush by pressing the tilt selector button. The button's rounded shape provides the sanitary module with nobility and distinctiveness. With the pneumatic version you are a touch of a button away from the perfect bathroom.

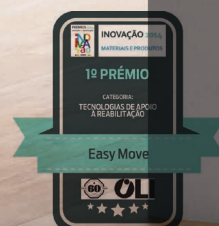


Leakage prevention box in ABS and PMMA;  
In-wall installation with glass front panel visible;  
QR-INOX Button - Pneumatic actuation;  
QR-INOX No-touch – Capacitive sensor with Hydroboost or AC.

AC POWER-MAINS Hydroboost

# EASY MOVE

Committed to developing a safe and comfortable bathroom for all, OLI has several solutions designed for people with reduced mobility, the elderly and children.



2014 innovation award about technologies to support building rehabilitation (Portugal)

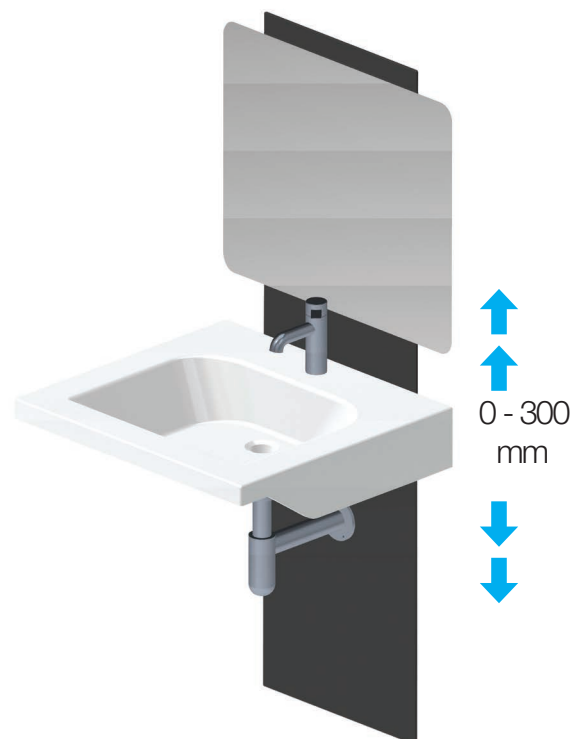
Easy Move is the complete package. It offers a solution that is both aesthetically pleasing and highly functional that allows the user to adjust the height of a toilet using a remote control. The new Easy Move Washbasin allows the user to adjust the height of the washbasin.

Easy Move is available with optional lift-up support rails for people with reduced mobility.

Both Easy Move frames are available in black or white tempered glass.



EASY MOVE  
WC



EASY MOVE  
WASHBASIN

# MOON

Have you ever seen a black moon?

“Moon Black” is a unique flush plate that is aesthetically pleasing with easily distinguished shapes.

In addition to its innovative design, as it is the first ceramic flush plate on the market, “Moon Black” stands out as a self-sustaining solution with “Hydroboost” technology and “no touch” actuation. The flush plate does not require a source of electricity or batteries, and is part OLI’s “no touch” range, where the flush is activated with the approach of your hand, without touching the plate, thanks to the use of capacitive sensors.



## No-touch actuation

The use of capacitive sensors enabled OLI to develop the concept around a one-piece ceramic plate with innovative tactile features that ensure superior hygiene levels and ergonomics.

## Simple and intuitive

The simple and elegant design of the Moon plate combines high technology with tradition, resulting in a smooth and comfortable interface for the user, whose elegance of shapes highlights the dual flush and favours the half flush.



OLI offers two new solutions that are high-tech inside and out. Both control plates are equipped with an infrared sensor. This means that the flush can be activated without touching the control plate and leads to greater hygiene and effortless use.

## 100% Hygienic and ideal for public spaces.

### eGLOBE

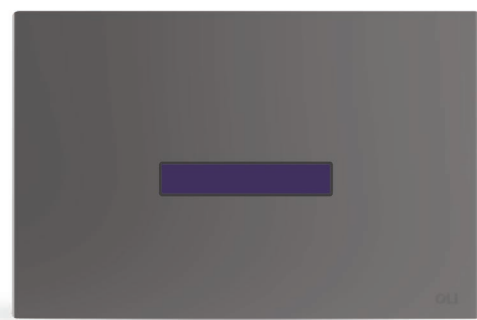


- Dual Flush (<90 sec half flush; >90 sec full flush);
- Infrared sensor with mechanical override;
- ABS material;
- Compatible with Hydroboost, AC and Electronic in-wall cisterns;
- 2 year warranty.

#### Features:

- Automatic flush (<90 sec half flush; <90 sec full flush);
- "Welcome" flush – less than an half flush;
- Duty flush;
- Hygienic flush;
- Adjustable sensor range.

### eLINE



- Dual Flush (<90sec half flush; >90 sec full flush);
- Infrared sensor;
- Vandal resistant;
- Stainless steel material;
- Compatible with Hydroboost, AC and Electronic in-wall cisterns;
- 2 year warranty.

#### Features:

- Automatic flush (<90sec half flush; <90 sec full flush);
- "Welcome" flush – less than an half flush;
- Duty flush;
- Hygienic flush;
- Adjustable sensor range.

### COMPATIBLE WITH IN-WALL CISTERNS:



OLI74 PLUS



OLI120 PLUS

# SEAMLESS



10.5  
mm

New ultra-thin inspection plate compatible with all OLI pneumatic in-wall cisterns (OLI74 PLUS, OLI120 PLUS, EXPERT PLUS or QUADRA PLUS).

As the name suggests, Seamless guarantees a Seamless application in your perfect bathroom.





# DOUBLE FRAME WC/URINAL



Currently OLI offers a proven solution for two back-to-back concealed cisterns in a Free-Standing Double frame for much needed space saving in multi-user restrooms. In an effort to continuously improve and to enhance existing products and anticipate market needs, OLI presents the innovative Free-Standing Double Frame for WC/Urinal.

The Free-standing double installation system is ideal for drywall application with a wall-hung toilet/urinal. This system includes one frame with one cistern and

one urinal installed “back-to-back”. This makes it the ideal solution for multi-user restrooms in shopping centres, airports, schools, restaurants, etc. Furthermore, the Free-Standing Double Frame is guaranteed to save space and cut down on installation time.

Despite this innovative Free-Standing Double Frame having two very distinctive solutions, concealed cistern and urinal, the frame has a single outlet pipe that connects to the same drain pipe. This facilitates installation and waste drainage infrastructure needed.

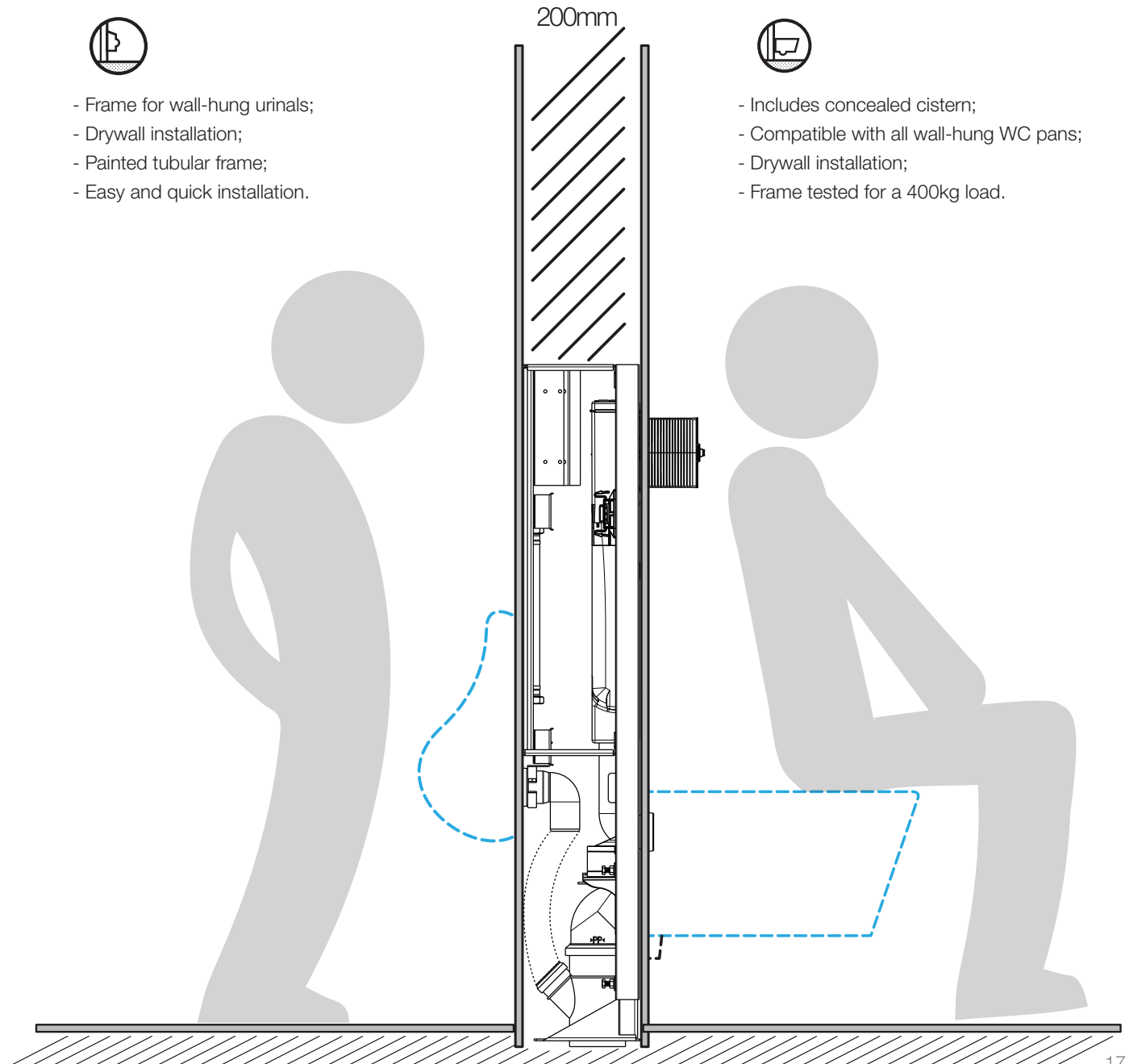


- Frame for wall-hung urinals;
- Drywall installation;
- Painted tubular frame;
- Easy and quick installation.



- Includes concealed cistern;
- Compatible with all wall-hung WC pans;
- Drywall installation;
- Frame tested for a 400kg load.

200mm



# SHOWER FRAME

Sanitarblock



Frame for shower and taps. Ideal for solid wall or drywall installation.

# WC FRAME

for flush valve



Frame for wall-hung WC with flush valve. Frame tested for 400kg load and is ideal for solid wall or drywall installation.

Easy and quick installation with Fast-Fit system.

## OUR RANGE OF FRAMES

### WC



Frame for wall-hung urinals.

### BIDET



Frame for wall-hung bidets.

### WASHBASIN



Frame for wall-hung washbasins.

### URINAL



Frame for wall-hung urinals.

### EASY FRAME



Frame for wall-hung urinal dividers.

# OLI74 PLUS 2 INLET VALVES



01 Rainwater  
02 Network water



OLI74 Plus 2 inlet valves allows you to connect your cistern to a second water source, such as rainwater for example. It provides a more efficient use of water while reducing your water bill.

SAVE **100%**  
Connected only to rainwater

SAVE **50%**  
Connected to the network + rainwater



# HAPPY AIR

A fresh solution for air renewal.

The high power and low noise extractor eliminates odours directly from the toilet and steam via an elegant and discreet plate, installed in the wall or on the ceiling.



**HAPPY AIR**  
High extraction capacity (80m<sup>3</sup>/h)  
Removes 30% from WC bowl and 70% from the room.



LED that can be turn on independently of the extractor.

**HAPPY AIR PLUS**  
High extraction capacity (100m<sup>3</sup>/h)  
Removes 30% from WC bowl and 70% from the room.

# OLI120 PLUS SHT



OLI120 Plus SHT contains all the benefits of OLI120 Plus with the added bonus of including pre-installation for shower toilets and hand-held shower toilets.

The shower toilet or hand-held shower toilet can be installed when installing the concealed cistern or at a later date.

Shower toilet kit is sold separately.



Hand-held Shower Toilet



## OLI120 Plus SHT Sanitarblock

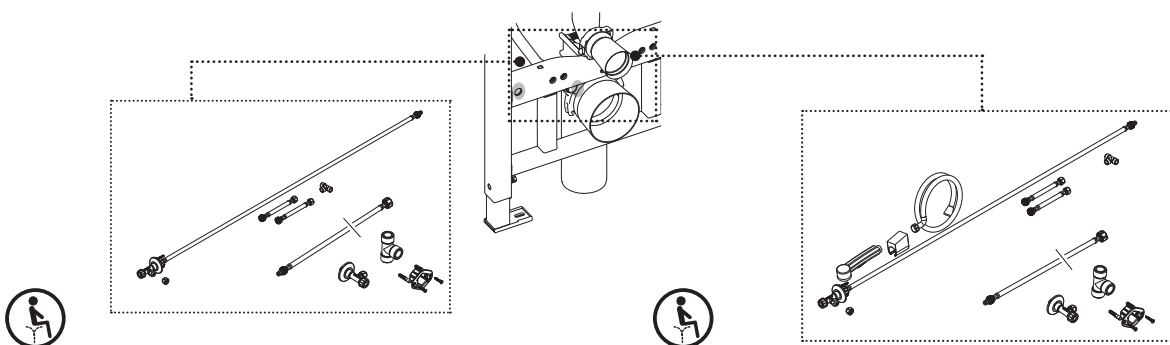
Suitable for application in drywall with load bearing walls. The main advantage of the system is the ease and speed of safely installing a cistern with a wall-hung toilet. Prepared for shower toilet installation.

## OLI120 Plus SHT Free-standing

Suitable for application in drywall with a wall-hung toilet. The main advantage of the system is the ease and speed of safely installing a concealed cistern with a wall-hung toilet without the need of any type of wall. Prepared for shower toilet installation.

## SHOWER TOILET CONNECTION KIT

## SHOWER TOILET CONNECTION KIT (HAND SHOWER INCLUDED)



# STOP FIRE



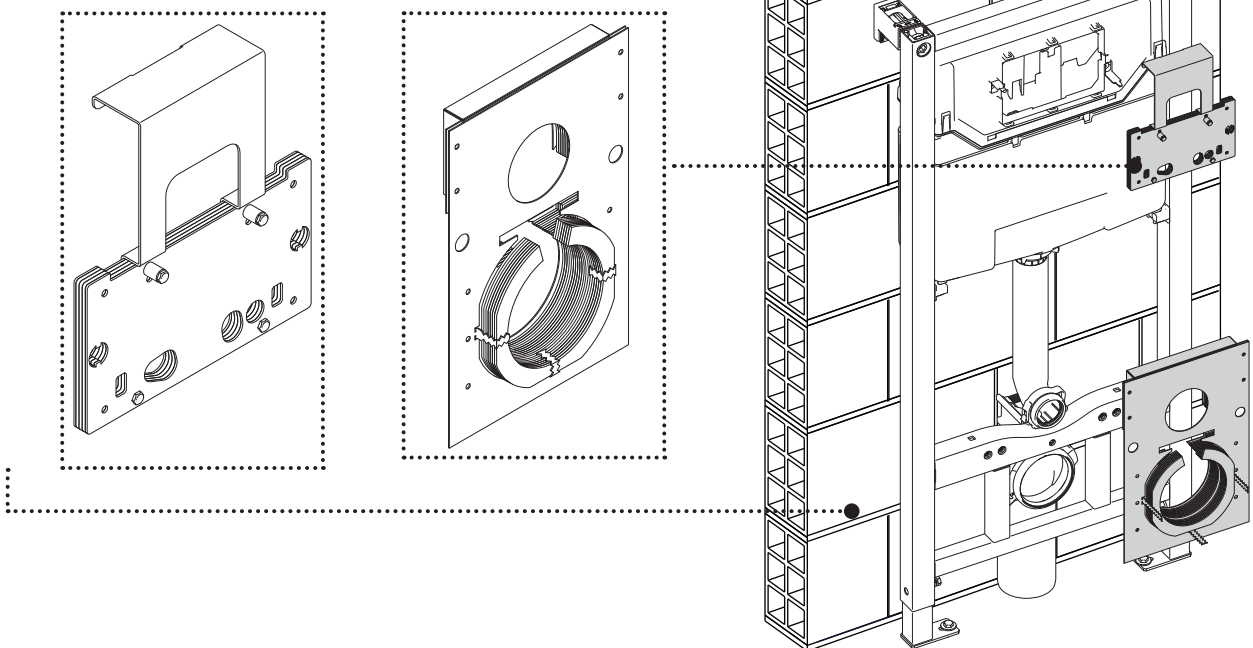
One of the main risks of a fire is smoke-inhalation, which can lead to many complications, if not death. Adopt Stop Fire as a crucial part of a fire safety strategy. It prevents the spread of fire and smoke between divisions in a building for approximately 120 minutes. This can be the time needed to fully evacuate everyone safely from the building.

Stop Fire is produced in compliance with the most recent standards. Stop fire works by including “collars” in the openings of the equipment. The “collars” are made of

steel and painted with polyester powder fitted with special intumescent inserts which, in the event of fire, expand and squeeze the pipe thus preventing the passage of flames, combustion gas and vapours and acting as a thermal insulation.

Fire safety saves lives and Stop Fire can be a defining element of a thorough fire safety strategy.

Product in compliant with EN 13501-2:2016.



## COMPATIBLE WITH IN-WALL CISTERNS:



OLI74 PLUS



OLI120 PLUS



OLI120



EXPERT PLUS



QUADRA PLUS

## COMPATIBLE WITH CONTROL PLATES:



Glam



Narrow



Globe



Plain

# MECHANISMS



## AZOR PLUS

- Delayed refilling inlet valve: it starts after the outlet valve is in the closed position;
- Side and bottom water supply connection in the same inlet valve;
- Reduced dimensions;
- Counter pressure closing system (Hydraulic);
- Silent valve, NF class I certified.



## ATLAS CABLE

- Dual flush outlet valve with adjustable half and full flush water volume;
- Universal and flexible application (front, top or side push button position);
- Adjustable telescopic overflow pipe;
- Damping system - silent operation.



**ONE PIECE VERSION**  
compatible with **ONE PIECE WC**

## OUR RANGE OF MECHANISMS

**INLET VALVES**

SAVES UP TO 9L OF WATER PER DAY

AZOR PLUS      AZOR SILENT      IVC100

UNI BOTTOM      COMPACT      JOLLY UNI      IVC102PLUS

**OUTLET VALVES**

ATLAS CABLE      ATLAS      FAST START/STOP

PUSH ECO      ECO TIRETTE      HANDLE

C.0051.02-03.2019



**OLI-Sistemas Sanitários, S.A.**  
Travessa do Milão, Esgueira  
3800-314 Aveiro, Portugal

T (+351) 234 300 200  
F (+351) 234 300 212  
[www.oli-world.com](http://www.oli-world.com)  
[export@oli-world.com](mailto:export@oli-world.com)

Inspired by water...